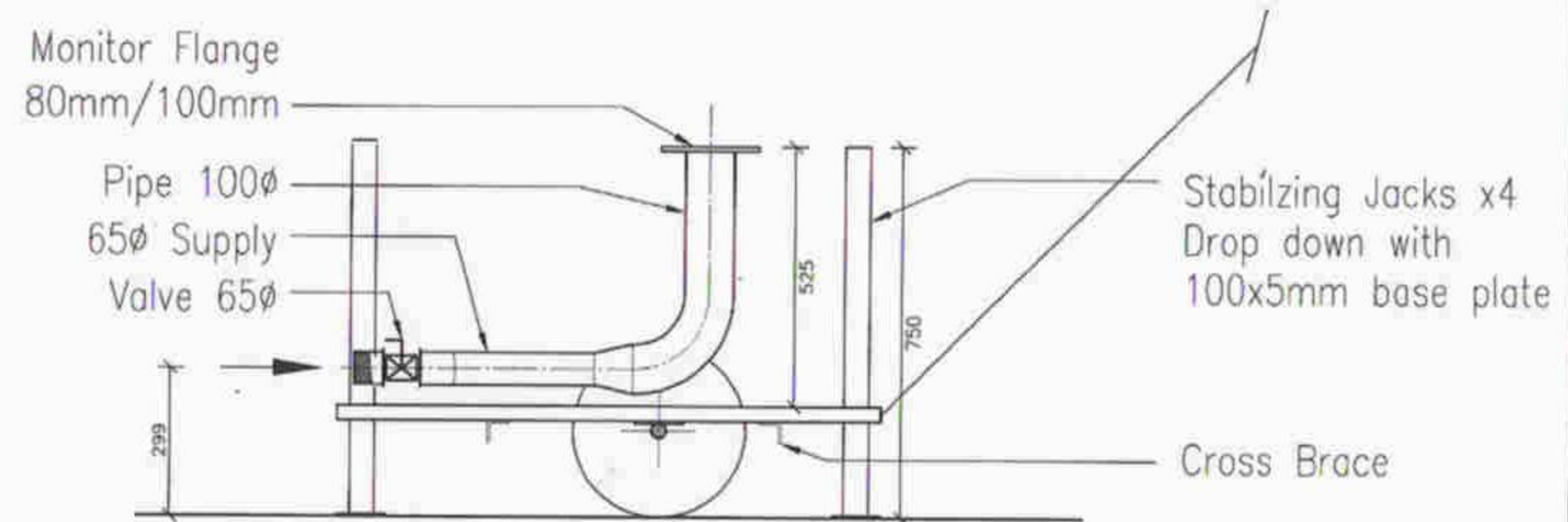


DETAIL PLAN



SIDE ELEVATION

**MONITOR TROLLEY
PRELIMINARY**

FLOW: 3000 L/min @ 10bar
4x Stabilizing jacks fitted
2x Solid Wheels fitted
Draw Bar fitted for manouvering
INLET: 2x65mm BIC, Valved
OUTLET: 1x80mm Flange 80/100mm

CLIENT:
Omega Fire Systems / G4 Securicor

PROJECT:
Oil Movements Facility
Mozambique

DRAWING NUMBER: UP/OM/Moz/Tr 001

REV:
0

UNQONDO PROJECTS

UNIT 08, CRANBERRY INDUSTRIAL PARK,
 CRANBERRY STREET, LASER PARK, HONEYDEW,
 GAUTENG, SA, PO BOX 10077,
 Vorna Valley, 1685, S.A

TEL: (+27 11) 795-1699 FAX: (+27 11) 795-1799 CELL: +27 82-853-3167
 EMAIL: r.hemraj@unqondo.co.za

This drawing is confidential and the property of Unqondo Projects. If received by mis-communication or in error to unintended recipient it is NOT to be communicated to any third party nor must it be used/actioned. The information herein is supplied in transmittal of confidential agreement with the recipient. Dimensions to be read of drawing. Do NOT scale or measure of drawing.