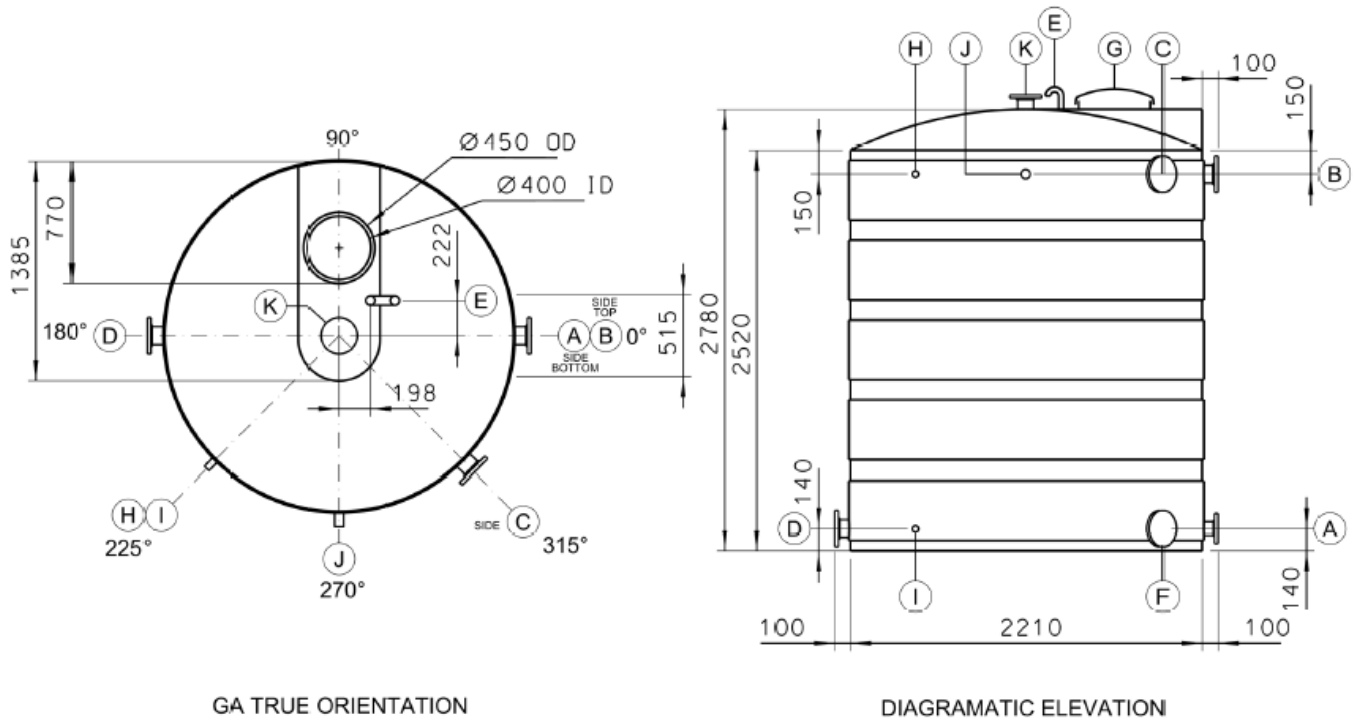


Unqondo Foam Concentrate Storage TANK

NOZZLE NC.	DESCRIPTION	TYPE	SIZE
A	FOAM OUTLET	FL 150 ASA	NB80
B	PRESSURE RELIEF LINE INLET	FL 150 ASA	NB100
C	PRESSURE SUSTAINING LINE INLET	FL 150 ASA	NB100
D	BALANCING LINE CONNECTION	FL 150 ASA	NB100
E	VENT	ELBOW	NB65
F	DRAIN	FL 150 ASA	NB50
G	MANHOLE	STD COVER	NB400
H	SITE GLASS	BSP POCKET	NB15
I	SITE GLASS	BSP POCKET	NB15
J	LEVEL ALARM	FL 150 ASA	NB50
K	LEVEL TRANSMITTER CONNECTION	FL 150 ASA	NB100

REV P2



Material	LDPE
Colour	White, Red, Green
Fittings	Designed to suit Requirements and Installation

Data Sheet : Unqondo Foam Concentrate Storage Tanks	Product : Unqondo Foam Concentrate Storage Tanks
Ref : Unq / FCST / July 2009 REV 0	
UnQondo Projects – Fire Protection Specialists	Unit 08 - Cranberry Industrial Park
Tel + 27 11 795 1688 / 795 1899 Fax + 27 11 795 1799 Email : admin@unqondo.co.za	Cranberry Street - Laser Park – Honeydew- Gauteng. S Africa